

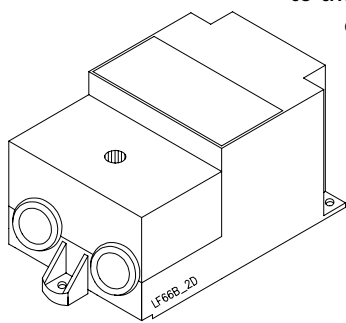
Safety isolating transformer

Type LF

Single-phase short circuit proof safety isolating transformer designed and tested according to norm EN61558-2-6. Separate insulated windings moulded in self extinguishing Polyurethane. Short circuit protected with glass tube fuse. For fixed installation, simple and easy mounting on wall or ceiling.

Applications:

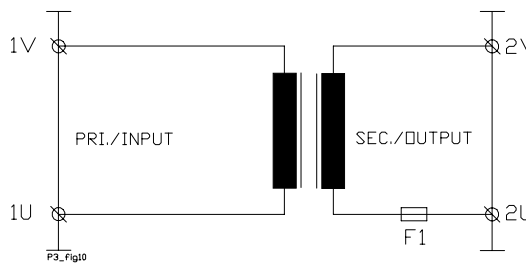
Designed for SELV installation which require safety isolating transformer approved according to the CE directives. Typical alarm equipment, automation, floor heaters etc., can also be used in halogen lighting installations.



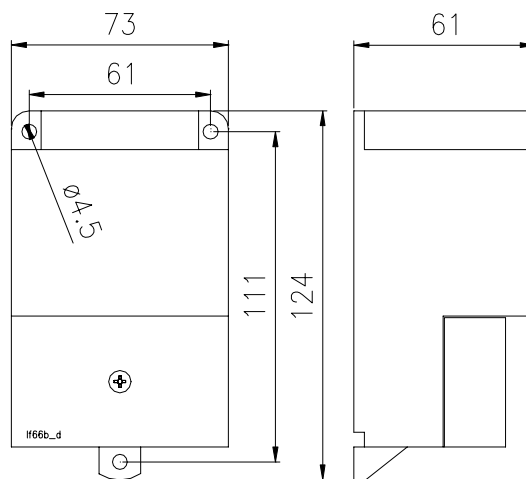
Technical specifications

- Input voltage: 230 V
- Frequency: 47-63 Hz
- Output voltage: 16,5 V / 24 V
- According to: EN61558-2-6
- Test/insulating voltage: 4 kV AC RMS
- Construction class: II
- Insulation class: B (130°C)
- Ambient temp. (t_a): 40°C
- Degree of protection: IP44

Wiring diagram



Dimensions



Standard types

Type	Voltage Sec. (V)	Current Sec. (A)	Power (VA)	Drawing (part I6)	Dimensions AxBxC (mm)	Weight (Kg)	Art. no.
LF 24-1	24	1,0	24	2	73x124x61	1,1	3-050-500005
LF 42-2,5	16,5	2,5	42	2	73x124x61	1,3	3-050-500015
LF 48-2	24	2,0	48	2	73x124x61	1,3	3-050-500020
LF 60-2,5B	24	2,5	60	2	73x124x61	1,3	3-051-066521