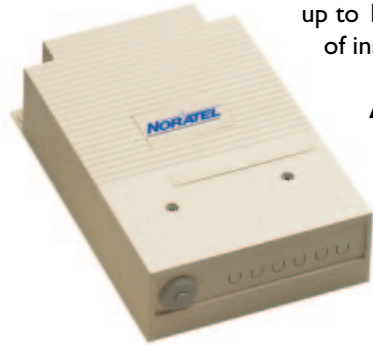


Low voltage lighting transformer

HaloPower2

Transformer for 12V lighting installations. Designed and tested according to norm EN61558-2-6. Separate insulated windings moulded in self-extinguishing Polyurethane and plastic capsulated. Insulation class II, double isolated. Short circuit proofs. Compact design, easy mounting on wall. Output terminal for rail and terminal connections for cables up to 10mm². Designed for optimal use of installation.



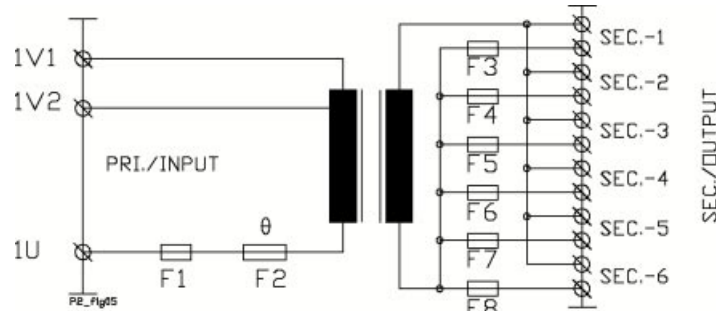
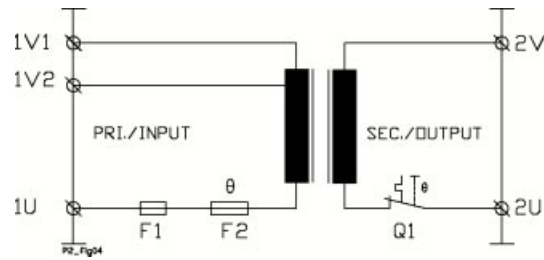
Applications:

Transformer designed for 12V lighting installations, track or wiring systems. Fully dimmable with dimmers designed for toroidal transformer loads.

Technical specifications

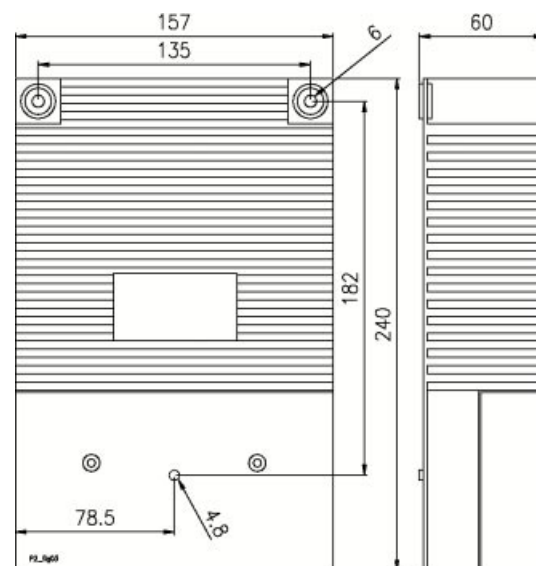
- Input voltage: 230-250V
- Frequency: 50-60Hz
- Output voltage: 12V
- According to: EN61558-2-6
- Test/insulating voltage: 4kV AC RMS
- Construction class: II
- Insulation class: B (130°C)
- Ambient temp. (t_a): 40°C
- Degree of protection: IP34

Wiring diagram



HaloPower 2 med 6 utganger

Dimensions (mm)



Standard types

Type	Voltage Prim. (V)	Voltage Sec. (V)	Connection (W)	Power (VA)	Weight (Kg)	Art. no.
200/2-K	230-250	12	2x100	225	4,2	4-111-112202
200/3-K	230-250	12	3x75	225	4,2	4-111-112203
200/4-K	230-250	12	4x50	225	4,2	4-111-112204
200/6-K	230-250	12	6x35	225	4,2	4-111-112206
300/3-K	230-250	12	3x100	300	4,3	4-111-112303
300/4-K	230-250	12	4x75	300	4,3	4-111-112304
300/6-K	230-250	12	6x50	300	4,3	4-111-112306
200/I-KSA	230-250	12	200	200	4,2	4-111-114201
300/I-KSA	230-250	12	300	300	4,2	4-111-114301