

Low voltage lighting transformer

HaloPower Mini

Transformer for 12V lighting installations. Designed and tested according to norm EN61558-2-6. Plastic capsulated. Insulation class II, double isolated. Short circuit proofs and protected against overload with built in PTC fuse. Variable output voltage - high and low.

Compact design and easy mounting. Fixed installation, can also to be mounted on walls. Supplied with 2m primary cables with plug for 230V. Can be controlled with a dimmer designed for inductive transformer loads.

Applications:

Transformer for 12V lighting installations. The compact design of the HaloPower Mini makes it useful in furnishing industry and housing- and kitchen cabinets.

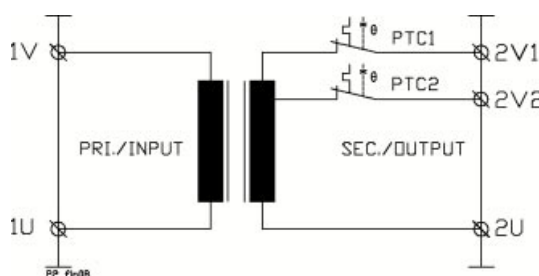
Up to 6 pairs of output terminals with additional print card.



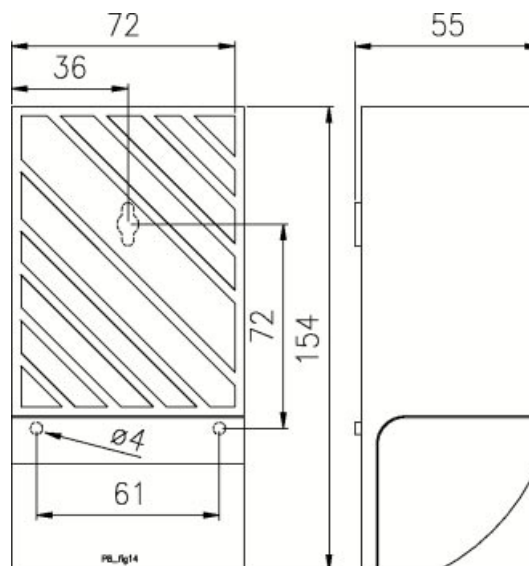
Technical specifications

- Input voltage: 230V
- Frequency: 50Hz
- Output voltage: 10,8V (low)
11,6V (high)
- According to: EN61558-2-6
- Test/insulating voltage: 4kV AC RMS
- Construction class: II
- Insulation class: E (120°C)
- Ambient temp. (t_a): 40°C
- Degree of protection: IP23

Wiring diagram



Dimensions (mm)



HaloPower Mini print card

HaloPower Mini can be supplied with an extra print card for connection of 6x10W or 6x20W lamps. The print card is supplied with fuses. Easy mounting at HaloPower Mini's secondary terminals. Secondary cable connections 10,8V or 11,6V.

Standard types

Type	Voltage Sec. (V) low	Voltage Sec. (V) high	Current Sec. (A)	Power (VA)	Fuse built-in	Weight (Kg)	Art. nr
HPM 70/I-KT	10,8	11,6	6	70	PTC	1,3	4-112-112071
HPM 120/I-KT	10,8	11,6	10	120	PTC	1,8	4-112-112121