

Low voltage lighting transformer

HaloPower E

Transformer for 12V lighting installation. Designed and tested according to norm EN61558-2-6. Separate windings, moulded in self-extinguishing Polyurethane and plastic capsulated. Insulation class II, double isolated. CE-marked. Short circuit and overload protected, non replaceable fuses. Supplied with 2m primary leads and secondary terminal connection for max. 10mm².

Dimmable with dimmers designed for inductive transformer loads.

Applications:

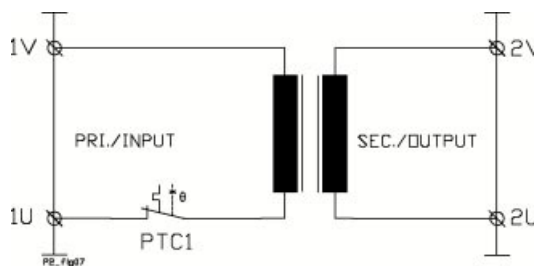
Transformer designed for 12V lighting installations, track or wiring systems.

Due to heat emission HaloPower E can not be installed in isolation materials.

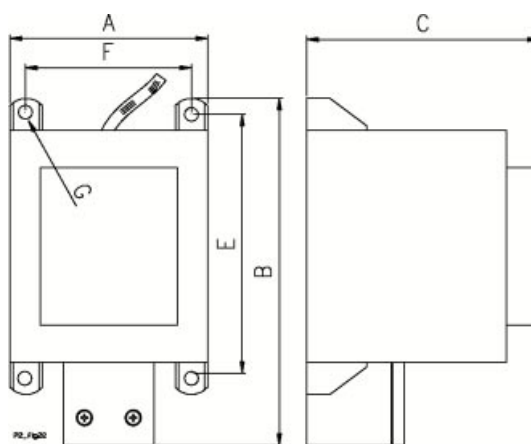
Technical specifications

- Input voltage: 230V
- Frequency: 50-60Hz
- Output voltage: 11,5V
- According to: EN61558-2-6
- Test/insulating voltage: 4kV AC RMS
- Construction class: II
- Insulation class: B (130°C)
- Ambient temp. (t_a): 40°C
- Degree of protection: IP43

Wiring diagram



Dimensions



Standard types

Type	Voltage Sec. (V)	Current Sec. (A)	Power (VA)	Built-in fuse (A)	Dimensions AxBxC (mm)	Weight (Kg)	Art. no.
105/I-EK	11,5	9,1	105	PTC	72x125x65	1,45	4-114-120101
200/I-EK	11,5	16,0	200	PTC	85x150x86	3,25	4-114-120201
300/I-EK	11,5	25,0	300	PTC	85x150x100	3,75	4-114-120301