

Electrostatically shielded transformers



Type SST / ISO

Three-phase isolating perturbation attenuation transformers with high transient suppression and low noise level. SST & ISO isolates and protect sensitive installations from noisy electrical system grounds, power line spikes and disruptions. Designed and tested according to norm IEC60726. Electrostatic shielding. The output is totally separated from earth and connected to the transformers neutral point.

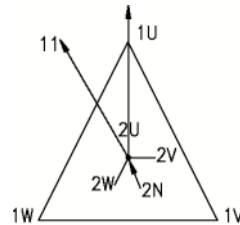
Applications:

Designed to protect sensitive electronic equipment against noisy electrical systems, transients, voltage spikes and earth faults. E.g.: Automation, process control, industrial electronics, instrumentation etc.

Technical specifications

- Input voltage: 3x230V.....3x690V
- Frequency: 50-60Hz
- Output voltage: 3x230V.....3x690V
- Vector group: Dyn II - standard
- Attenuation effect SST: 60dB (phase-ground)
20dB (phase-phase)
- Attenuation effect ISO: 80dB (phase-ground)
40dB (phase-phase)
- According to: IEC60726
- Test/insulating voltage: 4kV AC RMS
- Construction class: I
- Insulation class: F (155°C)
- Ambient temp. (t_a): 45°C
- Degree of protection: IP23

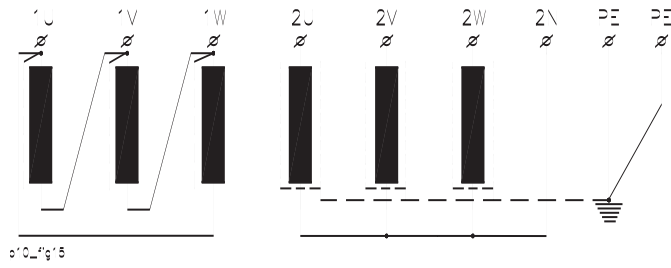
Standard vector group: Dyn II



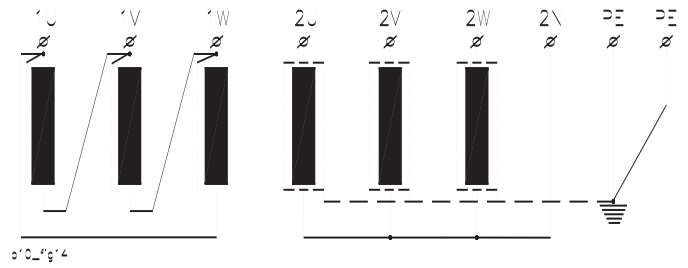
SST- / ISO- standard types

Power (kVA)	Type (60dB)	Type (80dB)	Length a	Width b	Height c	Dimensions (mm)							Weight (kg)
						<i>a</i> 1	<i>b</i> 1	<i>c</i> 1	<i>c</i> 2	<i>d</i>	<i>e</i>	<i>f</i>	
4,0	SST 4.0	ISO 4.0	427	400	515	-	333	467	-	264	350	15	65
6,3	SST 6.3	ISO 6.3	427	400	515	-	333	467	-	264	350	15	83
10	SST 10	ISO 10	481	450	590	-	383	542	-	316	400	15	148
16	SST 16	ISO 16	599	550	630	-	480	582	-	356	500	15	171
20	SST 20	ISO 20	670	520	827	600	540	770	50	340	470	14	216
30	SST 30	ISO 30	670	520	827	600	540	770	50	340	470	14	249
40	SST 40	ISO 40	700	520	877	630	540	820	50	360	470	14	281
50	SST 50	ISO 50	700	520	877	630	540	820	50	360	470	14	330
63	SST 63	ISO 63	700	520	877	630	540	820	50	360	470	14	330
80	SST 80	ISO 80	930	630	1057	840	670	1000	100	590	580	18	415
100	SST 100	ISO 100	930	630	1057	840	670	1000	100	590	580	18	486

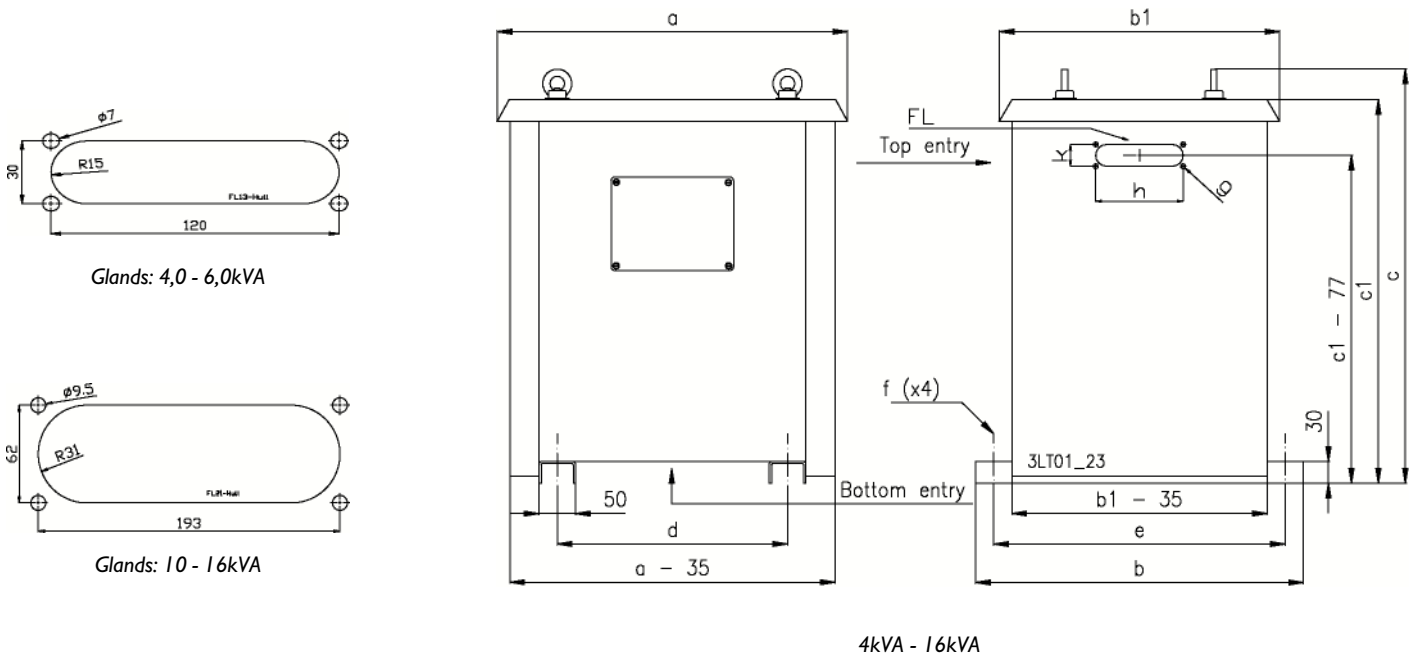
Wiring diagram: Type SST



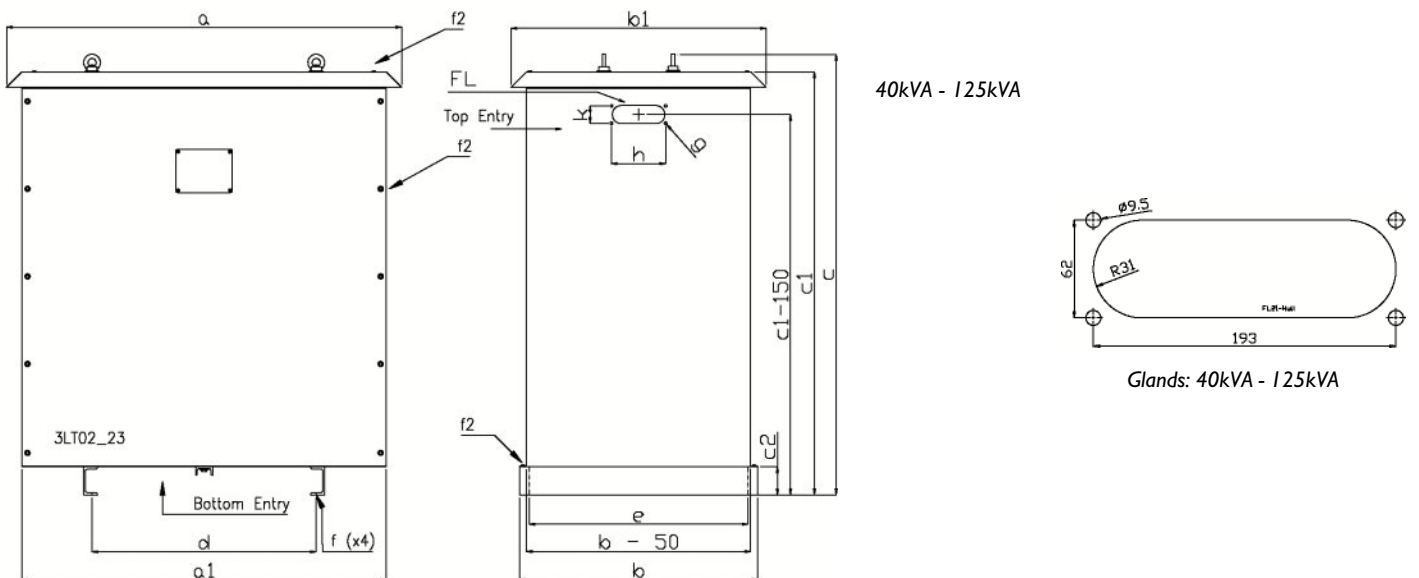
Wiring diagram: Type ISO



Dimensions (mm) 4kVA - 16kVA:



Dimensions (mm) 40kVA - 125kVA:



Losses and short circuit currents



LF-ISO



ISO I-6



ISO I-10, ISO I-14, ISO I-20



SST / ISO

Standard types

Type	FE-loss (W)	CU-loss (W)	e_z (%)	e_r (%)	I_c (xI_{nom})
LF-ISO					
LF 230-ISO	12	10	4,1	4,0	75
LF 460-ISO	19	19	4,2	4,1	55
LF 690-ISO	23	25	3,5	3,5	39
ISO					
ISO I-6	63	33	2,5	2,4	70
ISO I-10	20	55	3,0	2,4	26
ISO I-14	25	84	3,0	2,5	21
ISO I-20	56	65	1,8	1,4	40
SST					
SST 4.0	128	246	4,1	3,9	21
SST 6.3	168	294	3,4	2,9	19
SST 10	280	371	2,2	1,9	20
SST 16	387	496	2,6	2,0	15
SST 20	229	1108	3,3	2,8	18
SST 30	274	1063	2,8	2,1	18
SST 40	296	1567	3,3	2,5	15
SST 50	387	1564	2,8	2,0	14
SST 63	387	1564	2,8	2,0	14
SST 80	450	2291	3,5	2,3	13
SST 100	515	2415	2,8	1,9	13
ISO					
ISO 4.0	128	246	4,1	3,9	21
ISO 6.3	168	294	3,4	2,9	19
ISO 10	280	371	2,2	1,9	20
ISO 16	387	496	2,6	2,0	15
ISO 20	229	1108	3,3	2,8	18
ISO 30	274	1063	2,8	2,1	18
ISO 40	296	1567	3,3	2,5	15
ISO 50	387	1564	2,8	2,0	14
ISO 63	387	1564	2,8	2,0	14
ISO 80	450	2291	3,5	2,3	13
ISO 100	515	2415	2,8	1,9	13

- All data for guidance, subject to change.

