

UL-approved isolating transformers

Type ITFI

Single-phase non-short-circuit proof transformers with a power range from 63 VA up to 25 kVA. Listed standard types are designed as isolating transformers with separated windings.

Applications:

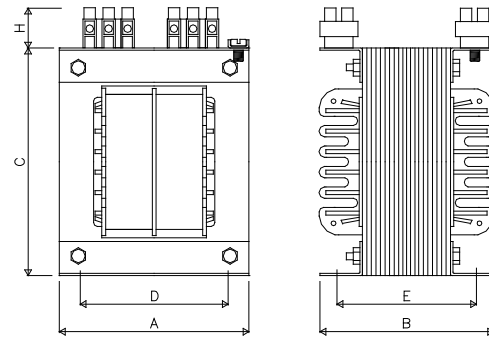
For transforming voltage up or down, and for installations which require galvanic separation between the primary and secondary voltage.

Technical specifications

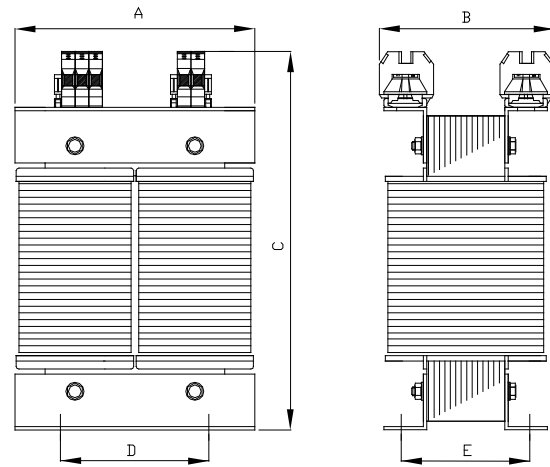
- Voltages: < 600 V
- According to: UL1561 and CSA 22.2 No. 66
- UL-file number: E174100
- Insulation class: F (155°C) - standard
- Temperature rise: < 85°C
- Ambient temp. (t_a): 40°C
- Degree of protection: IP00

Power range from 25 kVA to 75 kVA on request

Dimensions



Power range: 63VA till 1.300VA



Power range: 2.000VA till 25.000VA

Standard range

Power (VA)	Type	Core type	Insul. class	Dimensions (mm)					Weight (Kg)
				A	B	C+H	D	E	
63 VA	ITFI00063	EI	F	65	72	100	50	58	1,3
100 VA	ITFI00100	EI	F	70	76	110	56	64	2,2
150 VA	ITFI00150	EI	F	80	102	120	65	86	3,6
200 VA	ITFI00200	EI	F	100	92	150	78	76	4,5
315 VA	ITFI00315	EI	F	100	112	150	78	96	6,8
400 VA	ITFI00400	EI	F	125	104	175	106	84	7,7
500 VA	ITFI00500	EI	F	125	125	175	106	105	10,0
700 VA	ITFI00700	EI	F	125	148	175	106	128	13,7
800 VA	ITFI00800	EI	F	150	126	210	110	94	14,0
1000 VA	ITFI01000	EI	F	150	142	210	110	110	17,0
1300 VA	ITFI01300	EI	F	150	157	210	110	125	19,5
2000 VA	ITFI02000	UI	F	200	173	325	124	107	24,0
2500 VA	ITFI02500	UI	F	200	185	325	124	119	28,0
3500 VA	ITFI03500	UI	F	240	213	380	144	125	35,0
4500 VA	ITFI04500	UI	F	240	228	380	144	140	42,0
5500 VA	ITFI05500	UI	F	240	243	380	144	155	48,0
8000 VA	ITFI08000	UI	F	280	300	440	176	203	90,0
10000 VA	ITFI10000	UI	F	320	273	500	196	157	80,0
12000 VA	ITFI12000	UI	F	320	300	500	196	184	100,0
15000 VA	ITFI15000	UI	F	320	330	500	196	214	128,0
20000 VA	ITFI20000	UI	F	370	520	630	210	470	140,0
25000 VA	ITFI25000	UI	F	340	260	470	300	190	125,0