

Isolating transformers with electrostatic shield

Type LF-ISO

Specially designed single-phase perturbation attenuation isolating transformers with high transient suppression and low noise level. Designed and tested according to EN61558-2-19.

LF-ISO models are electrostatically shielded and have output filters which protect systems from unwanted "noise" and highfrequency voltages that can occur due to switching and loading on distribution lines. Protected against overload with built-in miniature circuit breaker. Moulded in self-extinguishing Polyurethane and encapsulated in plastic. Easy installation.

Applications:

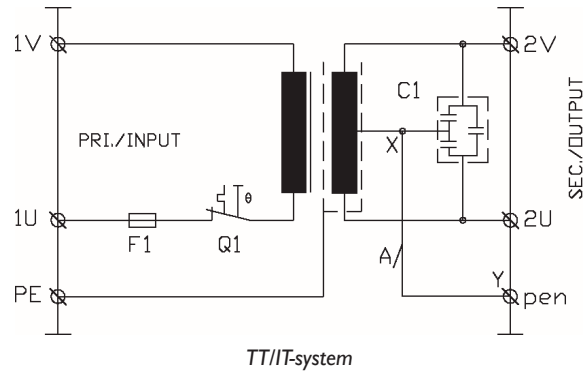
Designed to protect equipment that requires a low-noise voltage free of transients in order to work without problems e.g.: computer equipment, telephone-exchanges, audio-equipment and other sensitive electronic equipment.

Technical specifications

- Input voltage: 230V
- Frequency: 47-63Hz
- Output voltage: 230V (115-0-115)
- Attenuation effect: 120dB phase-ground
60dB phase-phase
- According to: EN61558-2-19
- Test/insulating voltage: 4 kV AC RMS
- Construction class: I
- Insulation class: B (130°C)
- Ambient temp. (t_a): 40°C
- Degree of protection: IP40



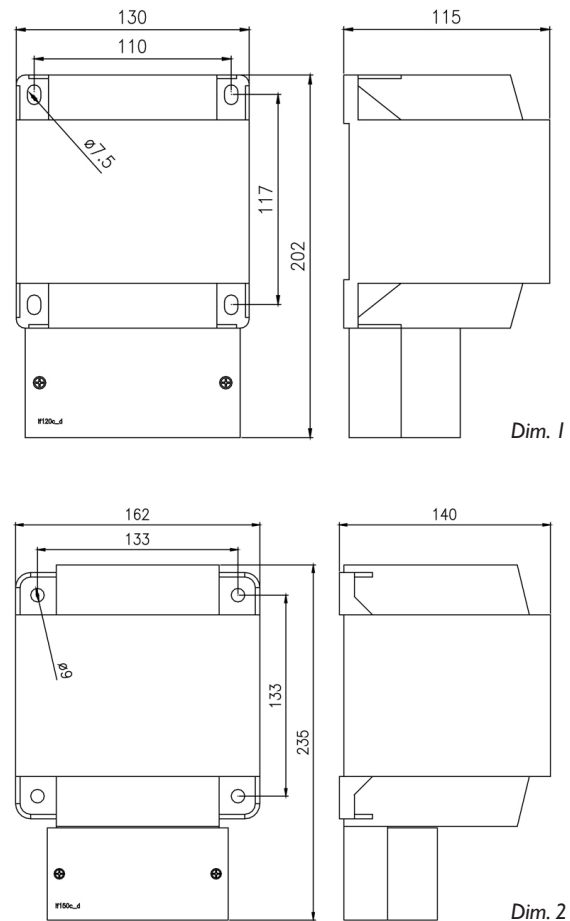
Wiring diagram



TT/IT-system

If a TN-system is preferable, point (A) can break so (Y) is directly connected to 2U. This will reduce the attenuation level.

Dimensions



Type	Voltage Sec. (V)	Current Sec. (A)	Power (VA)	Dimension drawing	Weight (Kg)	Art. no.
200-230/24 V						
LF230-ISO	230	1,0	230	Dim. 1	8,0	3-230-500012
LF460-ISO	230	2,0	460	Dim. 1	8,0	3-230-500015
LF690-ISO	230	3,0	690	Dim. 2	15,0	3-230-500040