

UL-approved transformers

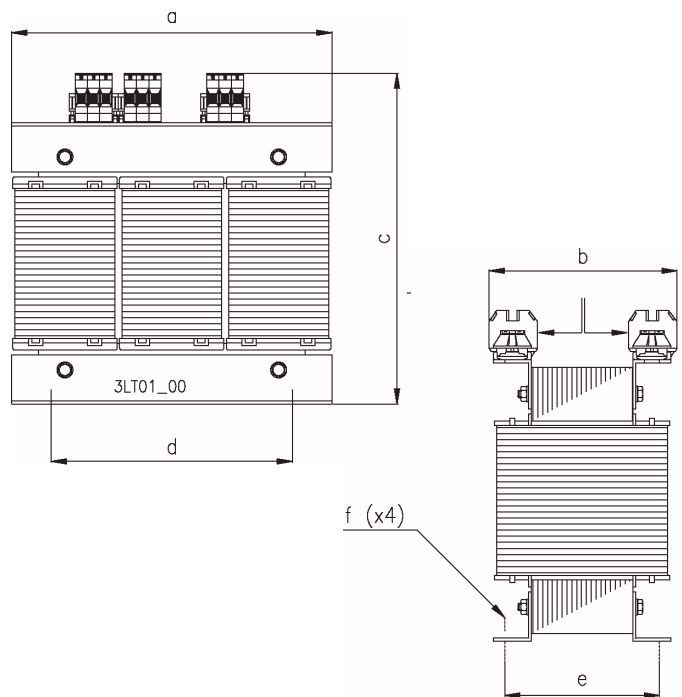
Three-phase

UL-approved three-phase transformers.
Dry type naturally cooled (AN), open design.

Technical specifications

- Voltages: < 600V
- Temperature rise: Class F < 85°C
- Ambient temperature: 40°C
- Degree of protection: IP00
- According to: UL 1561 and
CSA 22.2 No. 66
- UL-file number: E174100

Dimensions



Standard range

Power (VA)	Type	Insulation class	Dimensions (mm)					Weight (kg)
			A	B	C	D	E	
100	ITF300100	F	125	68	135	100	45	2,0
150	ITF300150	F	125	75	135	100	55	2,6
250	ITF300250	F	155	76	160	130	57	3,8
400	ITF300400	F	155	92	160	130	72	5,5
500	ITF300500	F	190	78	190	170	58	7,5
630	ITF300630	F	190	88	190	170	68	9,0
800	ITF300800	F	190	96	190	170	78	10,5
1700	ITF301700	F	230	150	255	176	95	22,4
2900	ITF302900	F	300	160	325	325	224	33,0
3300	ITF303300	F	300	173	325	224	107	38,5
3800	ITF303800	F	300	185	325	224	119	43,5
5400	ITF305400	F	360	213	380	264	127	55
6200	ITF306200	F	360	228	380	264	142	65
7000	ITF307000	F	360	243	380	264	157	75
10000	ITF310000	F	510	260	500	340	190	80
15000	ITF315000	F	510	260	500	340	190	90
20000	ITF320000	F	510	260	500	340	190	120
25000	ITF325000	F	510	260	500	340	190	130
35000	ITF335000	F	510	260	600	340	190	165
40000	ITF340000	F	510	260	640	340	190	180
45000	ITF345000	F	510	260	640	340	190	190
50000	ITF350000	F	510	260	640	340	190	220
60000	ITF360000	F	540	520	720	360	470	250
70000	ITF370000	F	540	520	720	360	470	300
75000	ITF375000	F	690	630	860	590	580	370